



RD 4000

Installation

Manual



Digi-Star★
Fort Atkinson, Wisconsin USA

Digi-Star★*Europe*
Panningen, The Netherlands

www.digi-star.com

Features

- Connects to any EZ indicator with a Remote Port
- No power cord is required
- LEDs are readable even in bright sunlight
- Rugged steel housing is NEMA4 / IP67 rated
- Mounts using the standard indicator mounting bracket
- Mounts using four 3/8" (10mm) bolts
- Six 3.8" tall numbers or letters
- Alarm LEDs on both ends of display are visible from any angle
- Progress bar assists operator when loading ingredients
- Progress bar can be configured to increase or decrease when counting up or down
- Acrylic lens easily replaced if damaged

Operation

When the EZ indicator is turned on, the remote also turns on showing the full alphanumeric display of the EZ indicator. The RD 4000 supports the following six annunciators:

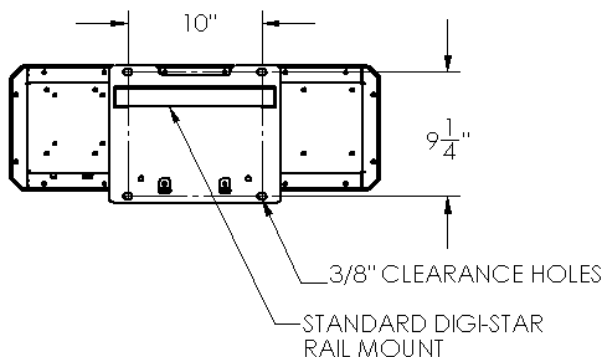
Lb	Net
Kg	Data
Load	Gross

The alarm LEDS on the both sides of the display turn on whenever the EZ indicator alarm lamp turns on.

Installation Manual

Installation

Mounting Dimensions



Connecting RD4000 Interface Cable

Connect the RD4000 interface cable from the remote port (J903) on your EZ indicator to your RD4000.

- Use Y-cables to connect more than one remote indicator to your EZ indicator.
- Place the Y-cable close to the EZ indicator when using more than one RD4000.
- Connect up to two RD4000s and one other remote to your EZ III series indicator.

Progress Bar

The progress bar works with version 5.B software or greater on the following indicators:

EZ 2000	EZ 2400
EZ 3200	EZ 3400
EZ 3500	EZ 3600
EZ 4300	EZ 4600

If your EZ indicator has a previous revision of software, contact your dealer for a software upgrade.

The RD4000 displays only alphanumeric characters and annunciators on EZ 150, EZ 210 and EZ 320 indicators.

Bar Graph Mode

With EZ software revision 5.A or greater the bar graph is functional and can be set to the following settings:

Menu #2 BARGRP – (D.A.N. 236)

0 = OFF.

1 = Display from “left to right” for Presets and Timer/Counter only.

2 = Display from “left to right” for Presets, Timer/Counter & Gross Full Scale Weight.

3 = Display from “right to left” for Presets and Timer/Counter only.

4 = Display from “right to left” for Presets, Timer/Counter & Gross Full Scale Weight.

Menu # 2 BAR WT (D.A.N. 237)

Enter the Gross Full Scale Weight to activate all LED's of the bar graph.

This is used with Bar Graph Modes 2 and 4.

EXAMPLE: If set to a weight value of 12,000, half of the bar graph will be lit when the gross weight displayed is 6,000.